



Solution Brief

VMware NSX-T Strategy Workshop

IT organizations are expected to provide a data center that is fast, flexible, secure, and able to scale on demand. Determining the optimal architecture for delivering on these needs, while being relatively easy to manage, is a complex decision.

Insight's VMware NSX-T Strategy Workshop can help you properly evaluate VMware® NSX-T for your organization and lay the groundwork for successful implementation and optimization.

During this one-day workshop, we:

- Discuss your modernization objectives.
- Explore how VMware NSX-T could work for your business.
- Identify migration strategies and recommend tactical steps.
- Develop a strategic roadmap for NSX-T data center migration and implementation.

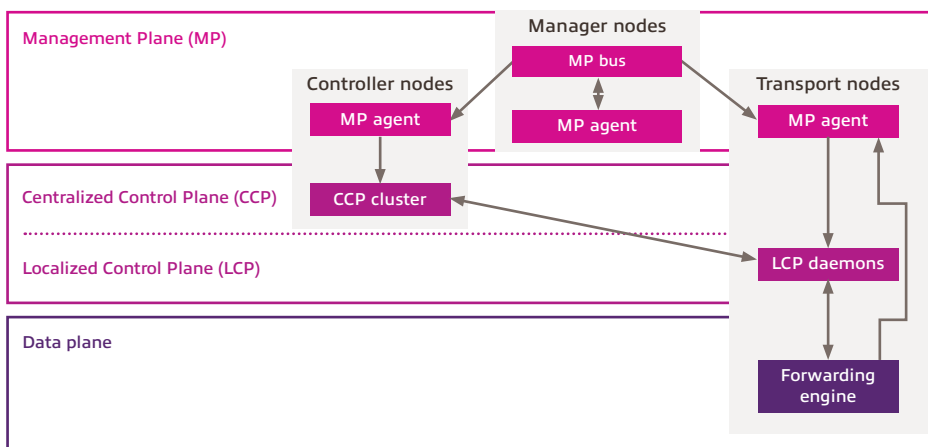
You'll walk away with a strategy for deployment and migration to NSX-T. Working with our team, you'll learn about design considerations and necessary steps to a successful deployment. Other available strategy workshops include Insight's Infrastructure Modernization and Infrastructure Automation workshops.

About VMware NSX-T

NSX-T offers an agile software-defined infrastructure that lets you select the technologies best suited for applications. It provides automation and simplicity in operations, networking, and security, through three separate but integrated planes: management, control, and data.

NSX-T supports:

- Multiple clouds
- Multihypervisor environments
- Bare-metal workloads
- Cloud-native applications
- Various network virtualization stacks



Why Insight

Professional Services for
20+ years

National delivery team

~1,500 projects per year

>1EB of data and
>2M workloads migrated since 2015

~\$1.5B cost savings identified for clients

VMware Premier Partner with specializations in Management, Cloud, SDC, Infrastructure Virtualization, and Business Continuity

Getting started is easy.

Visit solutions.insight.com/contact-us to connect with our team.

©2022, Insight Direct USA, Inc. All rights reserved. All other trademarks are the property of their respective owners. MS-PSW-NXT-4.2.04.22

solutions.insight.com | insight.com